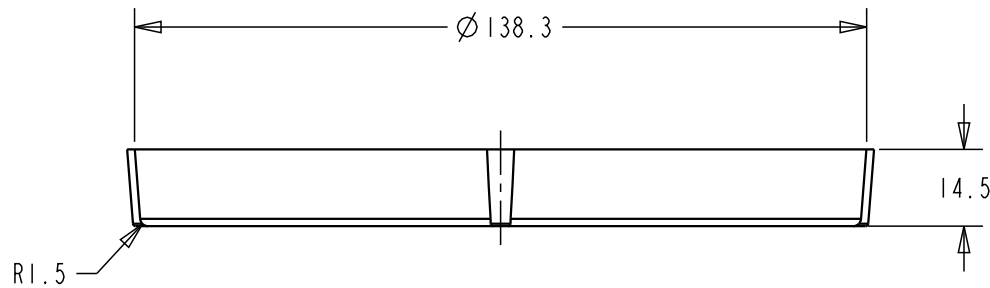
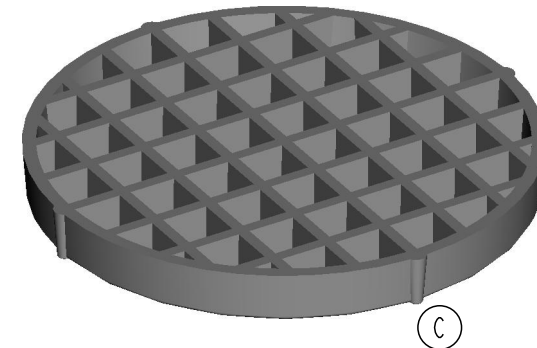
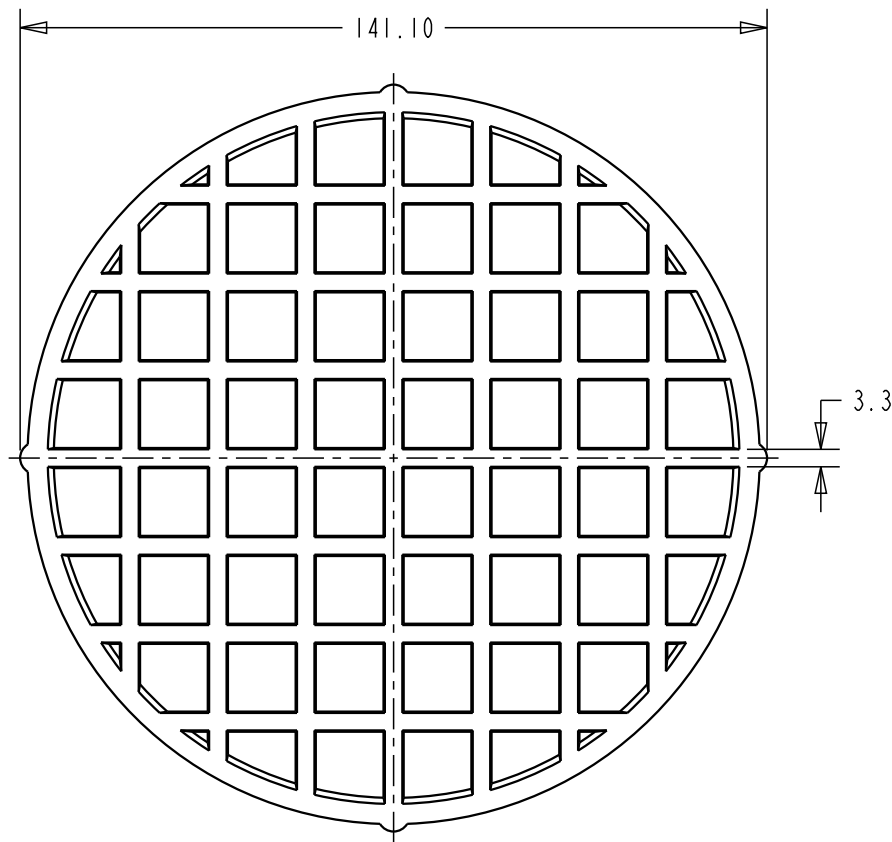


REF. CAD DATA FOR
OTHER DIMENSIONS



MATERIAL: POLYPROPYLENE
 COLUR: BLACK
 WEIGHT: 85 Grams

A	RELEASE FOR TOOLING	26:8:04
B	DRWING NUMBER WAS 8264	07/07/10
C	FOUR BUMPS ADDED TO OUTSIDE DIAMETER	30:6:20
ISSUE	CHANGE	DATE



PLASTEC

INNOVATIVE PLUMBING SOLUTIONS

2-4 Enterprise Street
 Caloundra QLD 4551 Australia

www.plastec.com.au

Tel: 61 7 5413 4444
 Fax: 61 7 5491 8918

UNSTATED TOLERANCES,
 LINEAR 0,0 ± 0,3
 0,00 ± 0,15
 0,000 ± 0,05
 ANGULAR 0,0 ± 1
 0,00 ± 0,25°

FLAT CYLINDER GRATE

CAD FILE: 11671_FLAT_CYLINDER_GRATE

CREATED IN Pro/ENGINEER. DIGITAL DATA AVAILABLE.

DIMENSIONS IN MILLIMETRES. DO NOT SCALE.



DATE: 26-Aug-04

DRAWN: A. Hobbs.

APPROVED: AP

SHEET: 1 OF 1

COPYRIGHT
 THIS DRAWING IS ISSUED BY PLASTEC AUSTRALIA PTY. LTD. ON THE
 UNDERSTANDING THAT IT IS STRICTLY CONFIDENTIAL AND WILL
 NOT BE REPRODUCED IN ANY WAY WITHOUT PRIOR PERMISSION.

11671